

# OCULUS HD

HD ZOOM LENS:  
4.3mm to 129mm



The Oculus HD is a compact, ruggedized, continuous rotation PTZ camera utilising a 30x zoom low light HD visible Starvis sensor. This sensor can be paired with a range of optional illuminators (white light, infrared and hybrid).

The visible sensor is housed within the Oculus's rugged enclosure, which also provides fast and accurate camera positioning. Tested to an IP67 level of environmental protection and hard anodised, the Oculus can be used in the most harsh and challenging applications including coastal surveillance, perimeter security and vehicle mounted installations.

## KEY FEATURES

- Low light Starvis full HD sensor
- 30x zoom HD visible sensor with a wiper as standard
- 360° continuous rotation with pan and tilt speeds up to 180° per second
- High levels of camera positioning accuracy: 0.01°
- Absolute feedback, virtually zero backlash with automatic self position correction
- Compact and ruggedised for extreme and marine environments
- IP67 rating
- Mounting options include hanging, upright or vehicle



### FLEXIBLE MOUNTING

Options include upright and hanging, as well as vehicle



### WIPER AS STANDARD

The visible HD camera comes with a wiper as standard



### 360° ROTATION

The Oculus HD offers continuous 360° rotation

# OCULUS HD

## HD ZOOM LENS CAMERA



### HD VISIBLE SENSOR

Focal Length	4.3mm to 129mm
Image Sensor	1/2.8" CMOS Exmor (2.13MP), Full HD 1080p (1920 x 1080)
F-Number	F1.6 to F4.7
Horizontal FOV	63.7° (W) to 2.32° (T)
Optical Zoom	30x
Digital Zoom	12x
Focus	Automatic, Manual
Min. Sensitivity	Colour 0.01 lux, Mono 0.0008 lux (high sensitivity mode)
Other Features	De-Fog, Digital Noise Reduction, WDR, Image Stabilisation

### OCULUS PAN & TILT UNIT

Pan Range; Pan Velocity	360° continuous; 0.01° to 180.0° per second
Tilt Range; Tilt Velocity	-30° -to +90°; 0.01° to 180.0° per second (Upright) -90° -to +30°; 0.01° to 180.0° per second (Inverted) -68° -to +90°; 0.01° to 180.0° per second (Inclined)
Accuracy	0.01° / 0.17 mRad
Repeatability	0.05° / 0.87 mRad
Actuation	Custom Stepper Motors

### IMAGE PRESENTATION

Video Output	NTSC or PAL composite video, ONVIF RTSP, HD-SDI (optional)
Connector Types	BNC (2) provides thermal and visible (optional) video simultaneously
Video over IP	Integrated IP encoders provide simultaneous H.264 RSTP (H.265 optional) and ONVIF Profile-S

### TELEMETRY

Presets	127x Preset positions, 16x preset tours
Protocols	Pelco D, Pelco D Extended, ONVIF Profile-S
Interface	RS485, ONVIF Profile-S, Serial <> IP
Positioning	Absolute positioning feedback

### INTERFACES

Ethernet	Command and control of all functions incl. streaming of H.264 Video (ONVIF)
RS485	Command and control of all functions and firmware upgrade

### ELECTRICAL AND MECHANICAL

Input Voltage	Nominal 28VDC (24-32VDC)
Power Consumption	Typical: 60W, peak: 100W (with heater)
Housing Material	Anodised aluminium, white powder marine grade paint finish (other colours are available upon request)
Camera Weight	7.6kg / 16.7lb
Camera Turning Diameter	220mm / 8.660" Normal - 370mm / 14.57" offset
Height	370mm / 14.57" Normal - 340mm / 13.86" offset

### ENVIRONMENTAL

IP Rating	IP67
Temperature Range	-30°C [-22°F] up to 65°C [149°F] [-40°C with optional heater]

### OPTIONS

Automatic Tracking	Hardware based target acquisition and tracking capability.
GYRO	2-AXIS GYRO stabilisation
SD Visible Camera	SD day/night camera, 3.4-122.4mm lens, 36x optical zoom, 12x digital zoom, colour 0.1 lux; mono 0.01 lux. Replaces the HD visible camera.
4K Visible Camera	4K colour camera, 4.4-88.4mm lens, 20x optical zoom, 12x digital zoom, colour 0.4 lux; colour 0.06 lux (slow shutter on). Replaces HD visible camera.
Storage	Up to 64GB in total via SD/MMC (32GB available per channel if using thermal and video / 2x cameras)
Illuminators	Infra Red (IR), LED, 850nm / 910nm wavelength, up to 200m range White Light, LED, up to 200m range Hybrid (IR & WL) LED, 850nm / 910nm IR wavelength, up to 150m range

### PART CODES

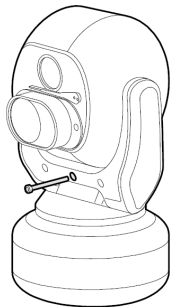
RC3-50IYJ30XW	Oculus HD, IP, with a HD, 4.3-129mm (30x optical zoom lens) video camera, white colour
Options	All optional modules, cable and ancillary part numbers are available upon request

### TYPICAL OCULUS COMPACT PTZ CAMERA



[HD Only]

[Upright / Inverted]

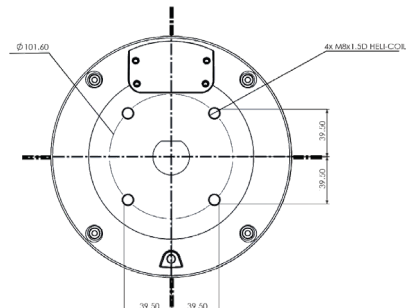


[HD with Illuminator]



[Inclined]

**Oculus Fixing Points**  
(base of the Oculus with an industry standard 4" PCD mount)



\* Illustrations are indicative and subject to the final configuration/model.

WWW.SILENTSENTINEL.COM  
+44 (0) 1920 871 734



UK Manufacturer

Specifications may be subject to change without notice.  
12/05/21 V4.0

**SILENT SENTINEL**  
VISION & MOTION CONTROL